

## **FRAMED OPENINGS**

GD4010 - FRAMED OPENING MINIMUM PANEL WIDTH

GD4020 - GENERAL WALKDOOR DETAIL

GD4100 - JAMB DETAIL

GD4110 - JAMB DETAIL WITH HOT-ROLLED JAMB

GD4200 - HEADER DETAIL

GD4210 - HEADER DETAIL WITH HOT-ROLLED HEADER

GD4300 - SILL DETAIL

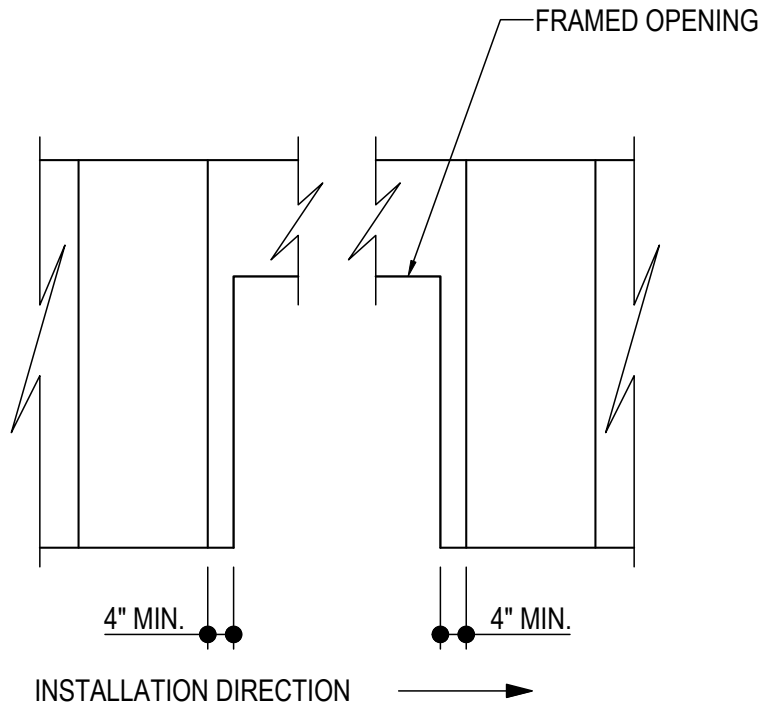
GD4310 - SILL DETAIL WITH HOT-ROLLED SILL

---

## GD4010 - FRAMED OPENING MINIMUM PANEL WIDTH

[Download the DWG file by clicking here.](#)

**ERECTOR NOTE:**  
4" (MINIMUM) DISTANCE  
FROM EDGE OF FIELD-CUT  
PANEL TO JAMB.



## MINIMUM PANEL WIDTH AT F.O. JAMB

(ELEVATION VIEW)

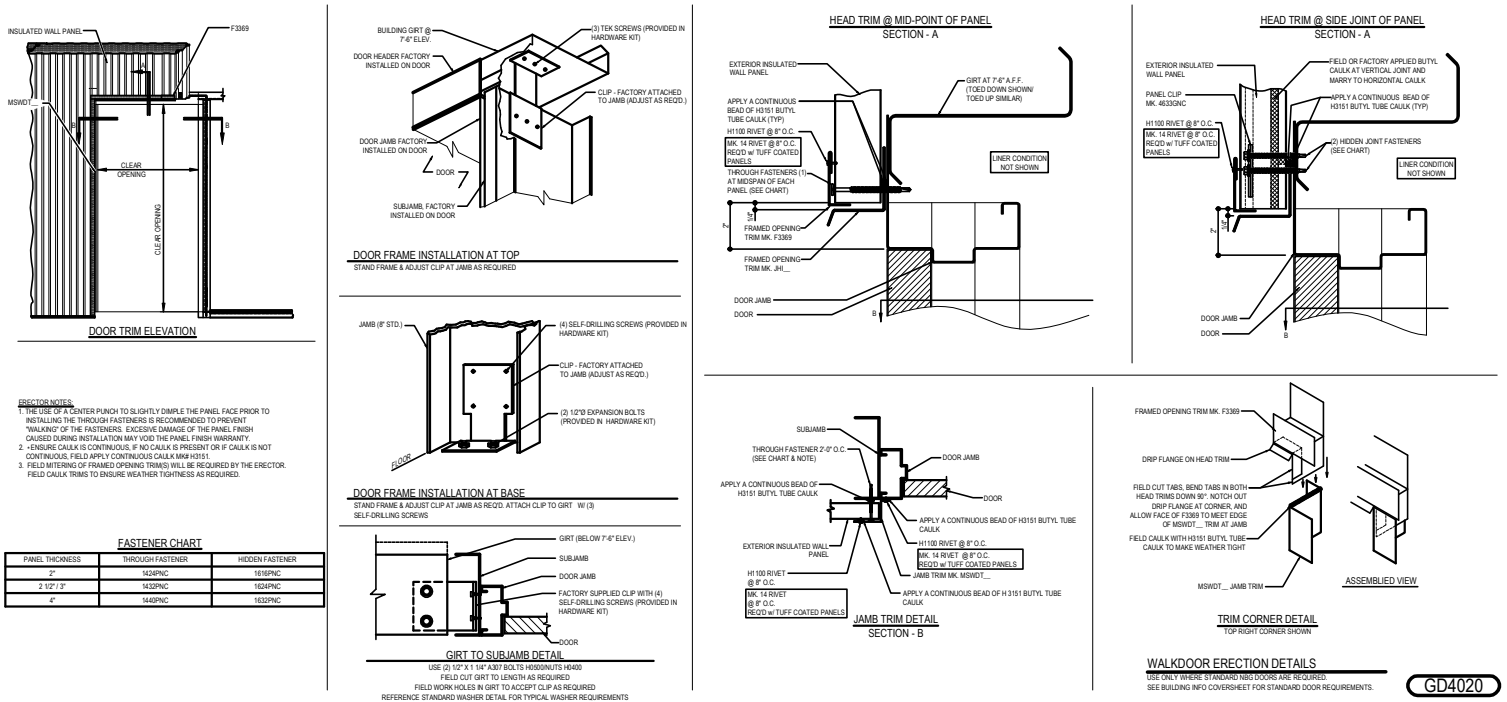
**GD4010**

Detailer Notes:

1) N/A

### GD4020 - GENERAL WALKDOOR DETAIL

Download the DWG file by clicking [here](#).



- ERECTOR'S NOTES:**
1. THE USE OF A DRIVER PUNCH TO SLIGHTLY DIMPLE THE PANEL FACE PRIOR TO INSTALLING THE THROUGH FASTENERS IS RECOMMENDED TO PREVENT "WALKING" OF THE FASTENERS. EXCESSIVE DAMAGE OF THE PANEL FINISH CAUSED DURING INSTALLATION MAY VOID THE PANEL FINISH WARRANTY.
  2. ENSURE CALK IS CONTINUOUS. IF NO CALK IS PRESENT OR IF CALK IS NOT CONTINUOUS, FIELD APPLY CONTINUOUS CALK #H3151.
  3. FIELD MITERING OF FRAMED OPENING TRIMS WILL BE REQUIRED BY THE ERECTOR. FIELD CALK TRIMS TO ENSURE WEATHER TIGHTNESS AS REQUIRED.

**FASTENER CHART**

PANEL THICKNESS	THROUGH FASTENER	HIDDEN FASTENER
2"	1/2" SPC	1/2" SPC
2 1/2" / 3"	3/8" SPC	1/2" SPC
4"	3/4" SPC	1/2" SPC

**Detailer Notes:**

- 1) N/A

GD4100 - JAMB DETAIL

[Download the DWG file by clicking here.](#)

PANEL THICKNESS	THROUGH FASTENER
2"	1424PNC
2.5" / 3"	1432PNC
4"	1440PNC

H1100 RIVET @ 2'-0" O.C.

MK. 14 RIVET @ 2'-0" O.C.  
REQ'D w/ TUFF COATED  
PANELS

JAMB

THROUGH FASTENERS  
@ 2'-0" O.C. (SEE CHART)

APPLY A CONTINUOUS  
3/8" BEAD OF MK. H3151  
BUTYL TUBE CAULK (TYP)

APPLY A CONTINUOUS  
3/8" BEAD OF MK. H3151  
BUTYL TUBE CAULK (TYP)

H1100 RIVET @ 8" O.C.

MK. 14 RIVET @ 8" O.C.  
REQ'D w/ TUFF COATED  
PANELS

FRAMED OPENING TRIM  
MK. F539\_ (SEE CHART)

COVER TRIM  
(REFERENCE ERECTION DRAWINGS  
FOR PART NUMBER)  
CC8121 @ 8" CEE  
CC9121 @ 9.5" CEE  
CS8121 @ 8" STRUCTURAL CEE  
CS9121 @ 9.5" STRUCTURAL CEE  
CS2121 @ 12" STRUCTURAL CEE

WINDOW / LOUVER / DOOR

H1100 RIVET @ 2'-0" O.C.

MK. 14 RIVET @ 2'-0" O.C.  
REQ'D w/ TUFF COATED  
PANELS

APPLY A CONTINUOUS 3/8"  
BEAD OF MK. H3151 BUTYL  
TUBE CAULK (TYP)

PERIMETER SEALANT  
(NOT BY MBS)

PANEL THICKNESS	FRAMED OPENING TRIM
2"	F5390
2.5"	F5392
3"	F5396
4"	F5398

## JAMB TRIM

INSULATED METAL PANEL JAMB TRIM AT COLD FORMED FRAMED OPENING

**GD4100**

Detailer Notes:

- 1) N/A

GD4110 - JAMB DETAIL WITH HOT-ROLLED JAMB

[Download the DWG file by clicking here.](#)

WALL PANEL THICKNESS	THROUGH FASTENER
2"	1424PNC
2.5" / 3"	1432PNC
4"	1440PNC

H1070 FASTENER  
@ 2'-0" O.C.

MK. 17 FASTENER  
@ 8" O.C. REQ'D w/ TUFF COATED  
PANELS

JAMB

THROUGH FASTENERS  
@ 2'-0" O.C. (SEE CHART)  
(PRE-DRILL REQUIRED)

APPLY A CONTINUOUS  
3/8" BEAD OF MK. H3151  
BUTYL TUBE CAULK (TYP)

APPLY A CONTINUOUS  
3/8" BEAD OF MK. H3151  
BUTYL TUBE CAULK (TYP)

H1100 RIVET  
@ 8" O.C.

MK. 14 RIVET  
@ 8" O.C.  
REQ'D w/ TUFF COATED  
PANELS

FRAMED OPENING TRIM  
MK. F539\_ (SEE CHART)

COVER TRIM  
(REFERENCE ERECTION  
DRAWINGS FOR PART NUMBER)  
CS8121 @ 8" MEMBER  
CS2121 @ 12" MEMBER

WINDOW / LOUVER / DOOR

APPLY A CONTINUOUS 3/8"  
BEAD OF MK. H3151 BUTYL  
TUBE CAULK (TYP)

PERIMETER SEALANT  
(NOT BY MBS)

WALL PANEL THICKNESS	FRAMED OPENING TRIM
2"	F5390
2.5"	F5392
3"	F5396
4"	F5398

## JAMB TRIM WITH HOT-ROLLED JAMB

INSULATED METAL PANEL JAMB TRIM AT HOT ROLLED FRAMED OPENING

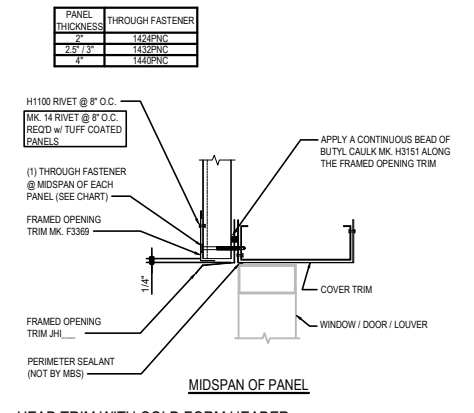
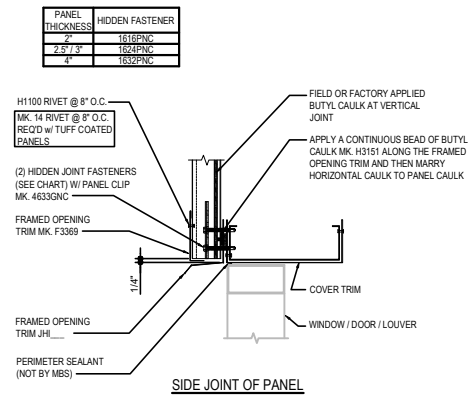
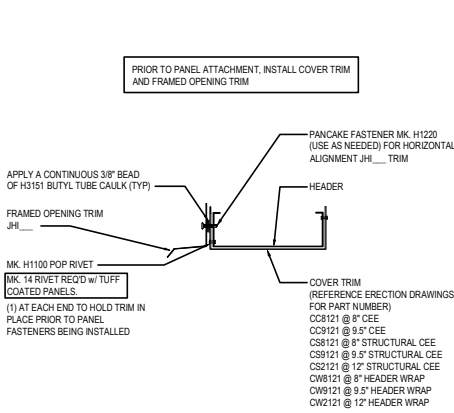
**GD4110**

Detailer Notes:

- 1) N/A

### GD4200 - HEADER DETAIL

[Download the DWG file by clicking here.](#)



HEAD TRIM WITH COLD FORM HEADER  
INSULATED WALL PANEL FRAMED OPENING HEADER TRIM

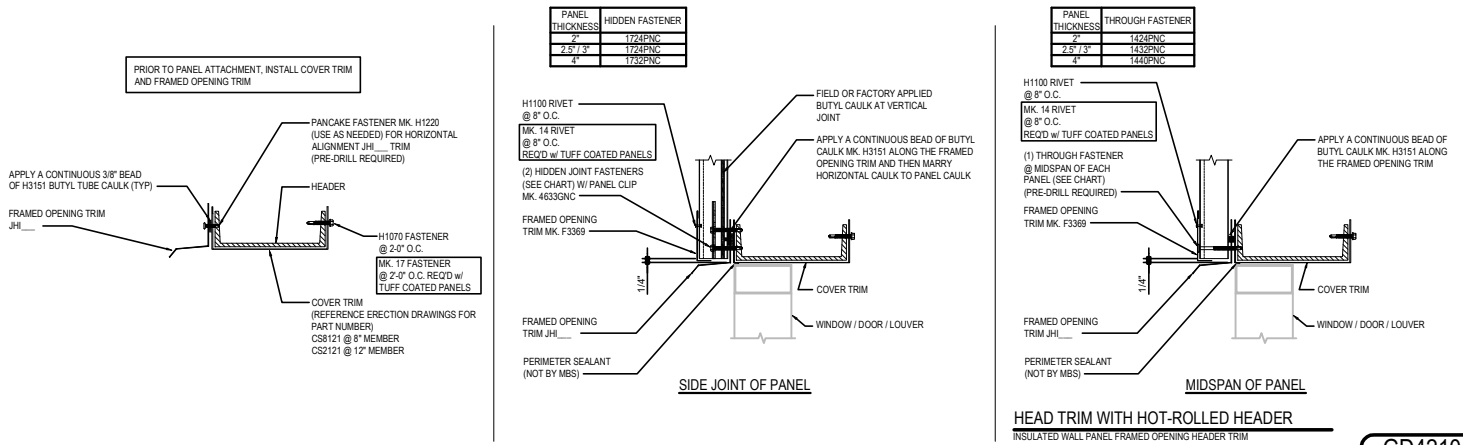
**GD4200**

### Detailer Notes:

- 1) N/A

### GD4210 - HEADER DETAIL WITH HOT-ROLLED HEADER

[Download the DWG file by clicking here.](#)

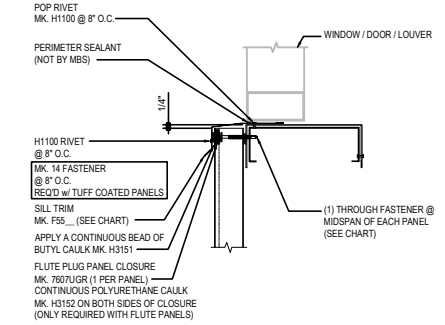
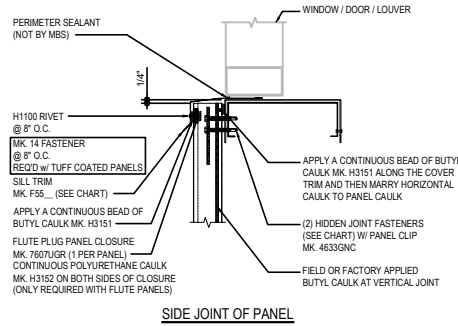
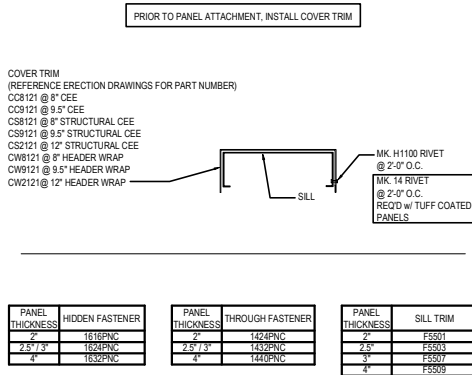


#### Detailer Notes:

- 1) N/A

### GD4300 - SILL DETAIL

[Download the DWG file by clicking here.](#)



**SILL TRIM**  
INSULATED WALL PANEL FRAMED OPENING SILL TRIM

GD4300

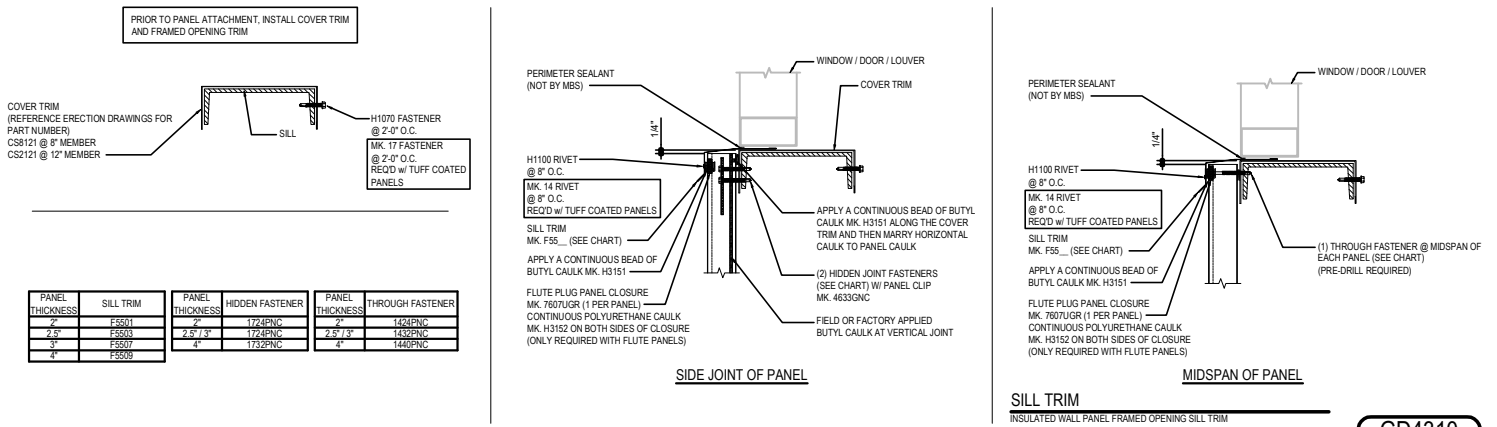
#### Detailer Notes:

- 1) N/A



### GD4310 - SILL DETAIL WITH HOT-ROLLED SILL

[Download the DWG file by clicking here.](#)



GD4310

**Detailer Notes:**

- 1) N/A